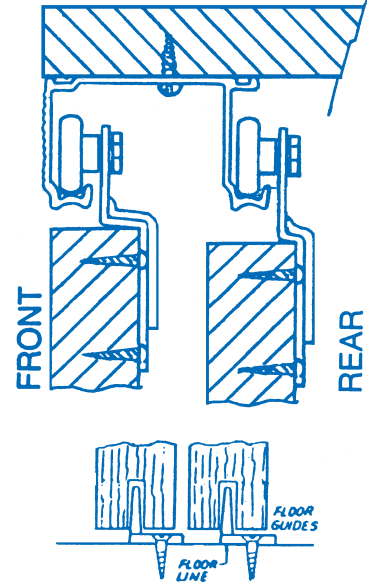
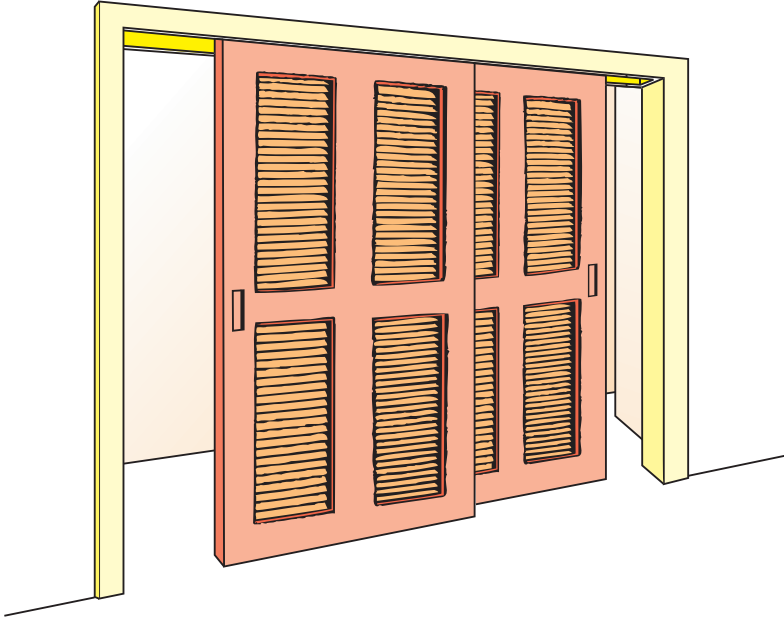


ROBE

ROBE DOUBLE TRACK



MAXIMUM THICKNESS OF DOOR PANEL

30kg

Max thickness 910mm
Min thickness 19mm

FEATURES:

- ALUMINIUM TRACK
- SUPER SILENT
- SUPER SMOOTH PRECISION BEARING
- EASY ADJUSTMENT

Robe Double Track has been specifically designed for use in wardrobe applications where double overlapping doors are required

SPECIFICATIONS FOR STANDARD SIZED DOORS					FACE-FIX APPLICATION DIAGRAM	Maximum (Kg)	Maximum Thickness (mm)	Minimum Thickness (mm)
Cat	Code	Description	No. of Door	Track Length				
	55.644.951	DT 4/2 Robe Double Track Set	2	1220mm		30	40	19
	55.645.951	DT 5/2 Robe Double Track Set	2	1520mm		30	40	19
	55.646.951	DT 6/2 Robe Double Track Set	2	1830mm		30	40	19
	55.648.951	DT 8/2 Robe Double Track Set	2	2440mm		30	40	19

NOTE: DOOR OPENING DIMENSIONS. Finished opening should be: Height: Door height plus a minimum 6mm floor guide clearance plus a mean 36mm from the top of the door to the underside of finished head. (Sets are adjustable up to 7mm) Width: Door width times the number of doors less 30mm for each overlap.

This is the easiest track to install

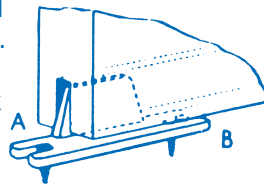
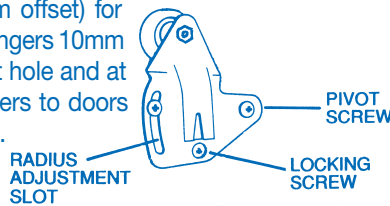
Distributed by SOUDAL LTD
14 Avalon Drive, Nawton 3200,
P O Box 4206, Hamilton East 3247
Hamilton, New Zealand
0800 70 10 80
info@soudal.co.nz
soudal.co.nz

ROBE

ROBE DOUBLE TRACK

FIXING INSTRUCTIONS

- Fixing to Timber Headboard**
 Place track to door head at position S as illustrated with decorative face to the front. Accurately mark position for screws. Drill holes, fit screws and tighten to within 3 mm of head. Place keyhole slots in track over screws, pull forward, tighten screws.
- Preparation for Floor Guide**
 Cut groove 16mm deep by 5mm wide in bottom of door for floor guide.
- Hanger Fixing to Door**
 Select hanger type (either 3mm offset or 9mm offset) for front and rear doors as per chart below. Place hangers 10mm in from each door edge. Drill for screws in pivot hole and at the top of the radius adjustment slot. Fix hangers to doors with height adjusted to the centre of radius slot. Fix Door Pulls (not provided).
- Door Installation**
 Tilt door and place hanger wheels in track, rear door first.
- Floor Guide Installation**
 With doors hung in track, ensure door face is plumb and mark position of guide. Slide door clear, re-position guide. Insert and tighten screw "B" into guide, then slacken approximately half a turn. Remove guide, slide door back into position, place under screw "B", insert and tighten screw "A".
- Door Height Adjustment**
 Slacken pivot screw and adjustment slot screw. Insert a blade screw driver into raised slot on hanger and rotate to correct height. Tighten screw in adjustment slot first, then pivot screw, and finally add the locking screw. Repeat for both doors.
- Door Stop**
 The single door stop provided should be fixed mid height on the inside face of the front door behind the door pull to prevent the door pull on the rear passing behind the front door when either door is open.



BRACKET SELECTION

Diagram (1)

BRACKET SETUP

19mm to 24mm THICK DOORS

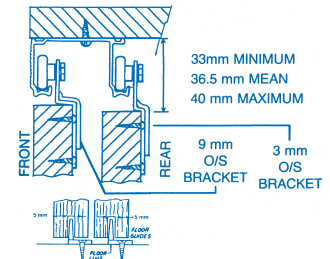
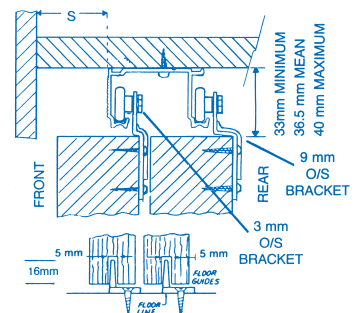


Diagram (2)

BRACKET SETUP

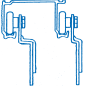


24mm to 40mm THICK DOORS






When door thickness is determined use dimensions on chart below for correct positioning of track on head and correct hanger for front and rear doors.

DOOR THICKNESS	TRACK POSITION	HANGER TYPE	
		FRONT DOOR	REAR DOOR
19mm	S= 0mm	9mm O/S	3mm O/S
24mm	S= 12mm	9mm O/S	3mm O/S
25mm	S= 16mm	3mm O/S	9mm O/S
28mm	S= 26mm	3mm O/S	9mm O/S
33mm	S= 31mm	3mm O/S	9mm O/S
36mm	S= 34mm	3mm O/S	9mm O/S
38mm	S= 36mm	3mm O/S	9mm O/S
40mm	S= 38mm	3mm O/S	9mm O/S

Design and Specifications are subject to change without notice.

Description	Cat.	Code	Type	Pack	Bar Code
Robe Double-Trak Set 		55.644.951 55.645.951 55.646.951 55.648.951	DT-4/2 1220 mm DT-5/2 1520 mm DT-6/2 1830 mm DT-8/2 2440 mm	Each	
Robe Offset Hanger Assy 		55.630.955 55.632.955	3 mm pre-packed 9 mm pre-packed	Each	
Robe Nylon-Tyred Wheel 		55.104.955	Pre-packed 22 mm Diameter 6 mm Wide	Each	

Description	Cat.	Code	Type	Pack	Bar Code
Robe Offset Wheels Assy 		55.630.955 55.638.951	3 mm pre-packed 9 mm pre-packed	Each	
Robe Nylon Floor Guide 		55.109.955	Pre-packed 2 mm Diameter 6 mm wide	Each	
Junior Metal Door Stops 		57.025.955	Pre-packed		