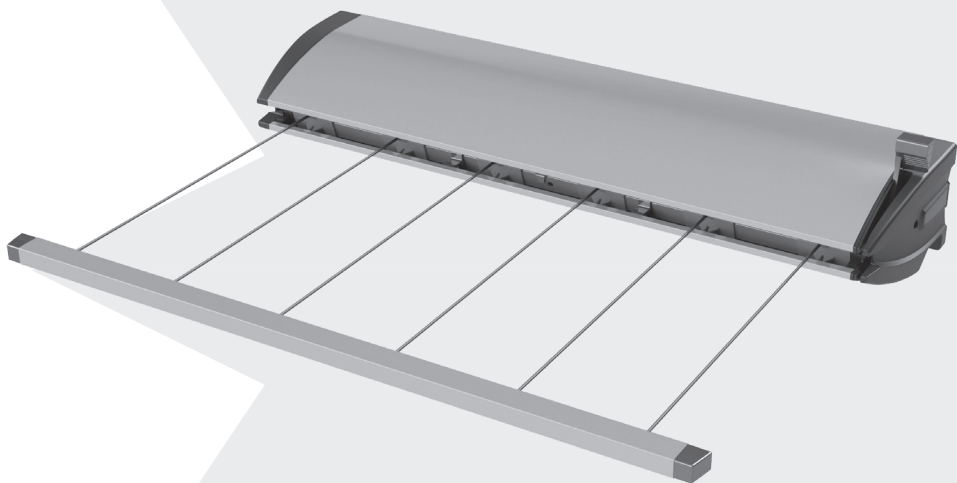




Retracting Clothesline 4-Line and 6-Line

Product Manual



Congratulations

Congratulations on the purchase of your new **Sun King Retracting Clothesline** which will bring you many years of trouble free and efficient outdoor drying.

It's important that you read this Product Manual thoroughly before installation to benefit from the design features and enjoy safe use of this product.

Thank you for choosing Sun King.

Warning

- Do not allow children or pets to swing on the Clothesline or items of laundry.
- Do not use for any purpose other than to hang and dry washing.
- Do not use your Clothesline if parts are worn or damaged.
- Do not operate the locking lever when the arm is located in the cabinet.
- Do not release the locking mechanism when there are clothes attached to the lines.
- Do not allow the arm and lines to retract uncontrolled as this may lead to personal injury or property damage. Hold the arm securely and walk it back to the cabinet.

Patents and Registered Designs apply to this product.

Please retain this Product Manual. Record the following information for future reference.

Product Number (printed on carton): _____

Date of purchase: _____

Name and location of store: _____

Carton contents

6-line retracting clothesline

Part name	Qty.
6-line cabinet	1
Receiving bracket	1
Product manual	1

4-line retracting clothesline

Part name	Qty.
4-line cabinet	1
Receiving bracket	1
Product manual	1



Designed and tested under a Quality System that meets Hills demanding quality specifications.

Made in China

Optional Mounting Kits

If you choose to mount your Retracting Clothesline cabinet or receiving bracket on posts, the following products are available.

Post Kits:

77279 – Sun King Post Kit

Mount Bar Kits:

77238 – Sun King Mount Bar 6

77246 – Sun King Mount Bar 4

Mounting Options

Determine which of the four mounting options most suits your requirements.



Wall to Wall



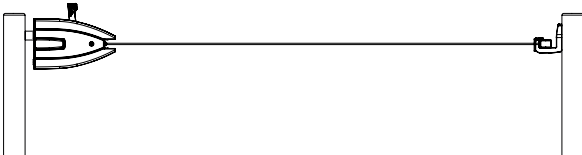
Wall to Post

Requires:
1 Post Kit



Post to Wall

Requires:
1 Post Kit
1 Mount Bar Kit



Post to Post

Requires:
2 Post Kits
1 Mount Bar Kit

Note: Minimum operating distance is 4m (13').
Maximum operating distance is 6.5m (21'4").

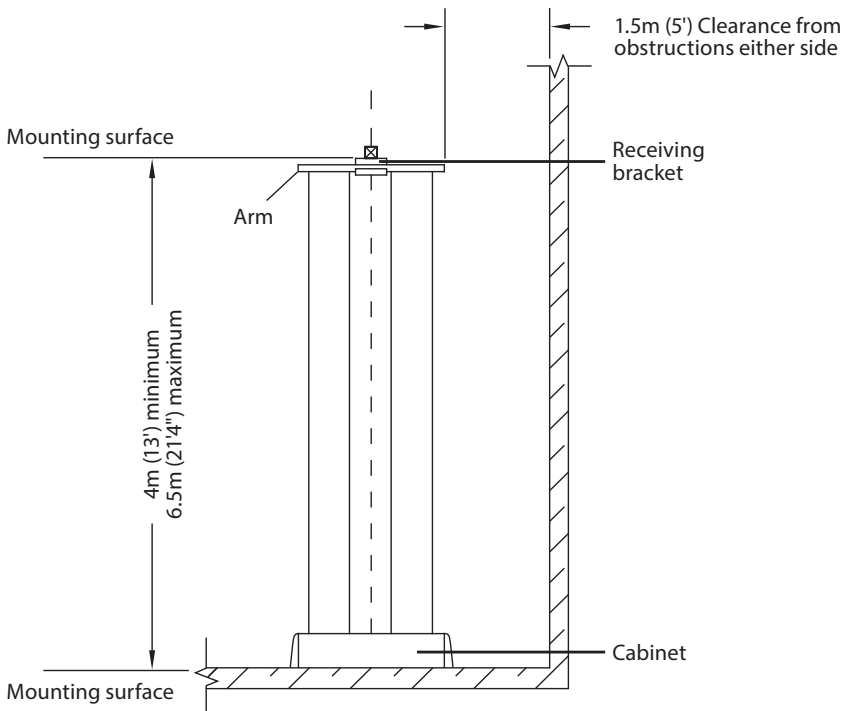
Step 1 – Select a suitable location

- 1.1 Select a suitable location for either wall or post mounted installations.
- 1.2 This product has been designed to mount and operate between 4m (13') and up to 6.5m (21' 4").
- 1.3 Always leave approximately 1.5m (5') clearance each side of the line and any wall fence/shed etc.

Note: This product must only be installed on sound structural walls.

Do not mount directly onto cladding materials.

If you have any doubt, contact your local hardware store or installer.

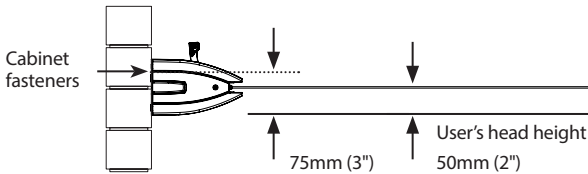


Step 2 – Recommended installation height

- 2.1** For all installations, we recommend the operational height for the line is approximately 50mm (2") above the user's head height.
- 2.2** For the heights and combinations of wall/post installations refer to the appropriate details below.

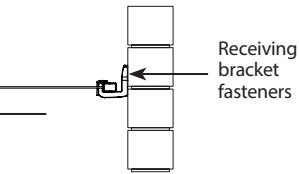
Wall Installation

Cabinet



Location of cabinet fasteners is approximately 75mm (3") above user's head height

Receiving bracket

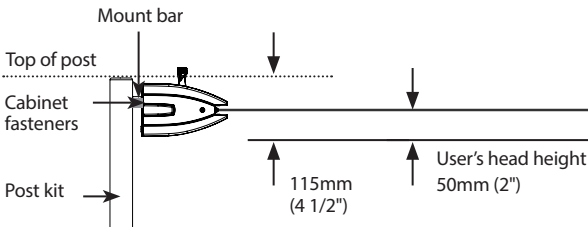


Location of receiving bracket fasteners is approximately 85mm (3 1/2") above user's head height (when installed on level ground)

Note: The receiving bracket should be located at a height to ensure the clothesline is close to horizontal

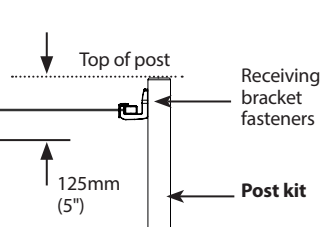
Post Installation

Cabinet



For post mounting a cabinet, the top of the post should be approximately 115mm (4 1/2") above the user's head height

Receiving bracket



For post mounting a receiving bracket, the top of the post should be approximately 125mm (5") above the user's head height (when installed on level ground)

Note: The receiving bracket should be located at a height to ensure the clothesline is close to horizontal

Step 3 – Mounting your cabinet to a wall

3.1 Prepare your cabinet location

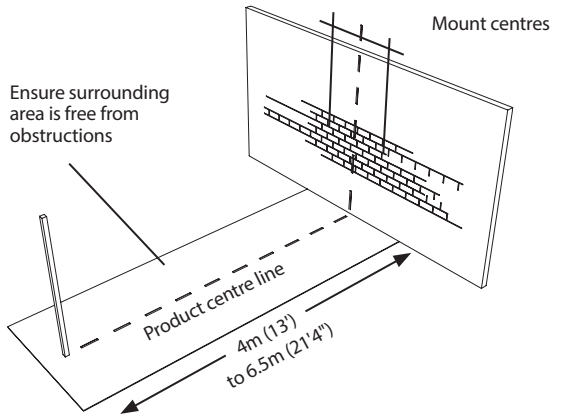
Determine the best location for the installation of your product (refer to page 5).

Mark out a centre line for your product within your allocated site.

3.2 Ensure that either side of this centre line and the area where the cabinet is to be installed on the wall is free from pipes and other obstructions (**Fig. 1**).

3.3 Mark the cabinet mount centres on the wall at the desired installation height (refer to page 6 and the table below).

Fig. 1



'Mount Hole Centres'

Product	Centres (mm)	Centres (inch)
6-line	814	32
4-line	570	22 1/2

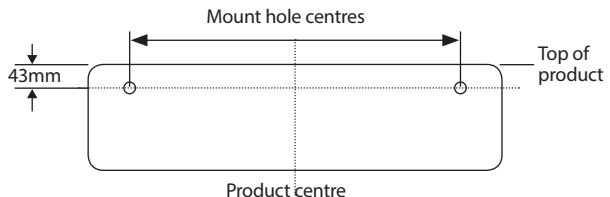
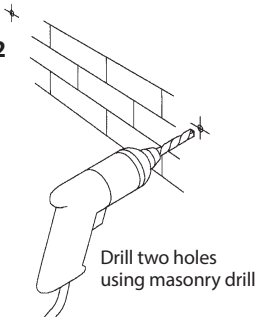
3.4 Drill holes in wall

Masonry fasteners are **not** included with this product. When attaching to a sound masonry wall, we recommend using masonry sleeve anchors (diameter 10mm x 55mm).

3.5 If you are using these fasteners, drill a $\varnothing 10\text{mm}$ (13/32") hole using a masonry drill (**Fig 2**).

Note: If you are mounting to a different wall type, consult your hardware store for advice on the appropriate fasteners to use.

Fig. 2



Step 3 (continued) – Mounting your cabinet to a wall

3.6 Secure your cabinet to the wall

Remove the end covers using a Phillips head screwdriver. (Fig. 3).

3.7 Ensure square metal locking rod does not come out of the cabinet.

3.8 Locate the cabinet with the mount holes. Insert masonry fasteners and secure (Fig. 4).

3.9 Reattach cabinet end covers (Fig. 4). Do not overtighten the screws.

Fig. 3

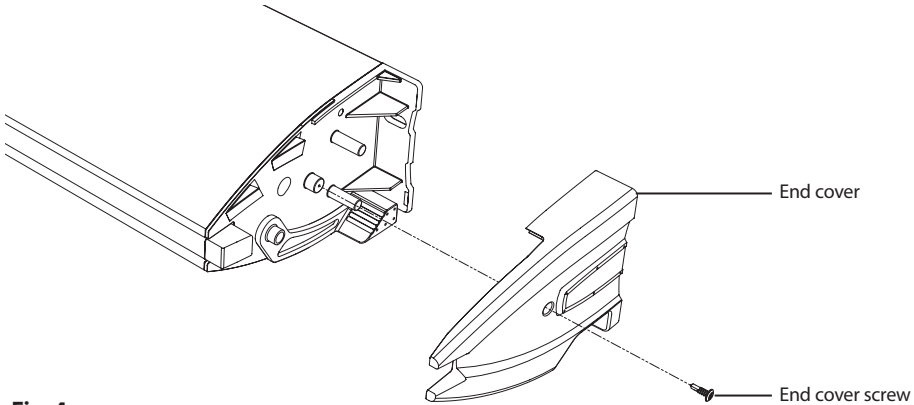
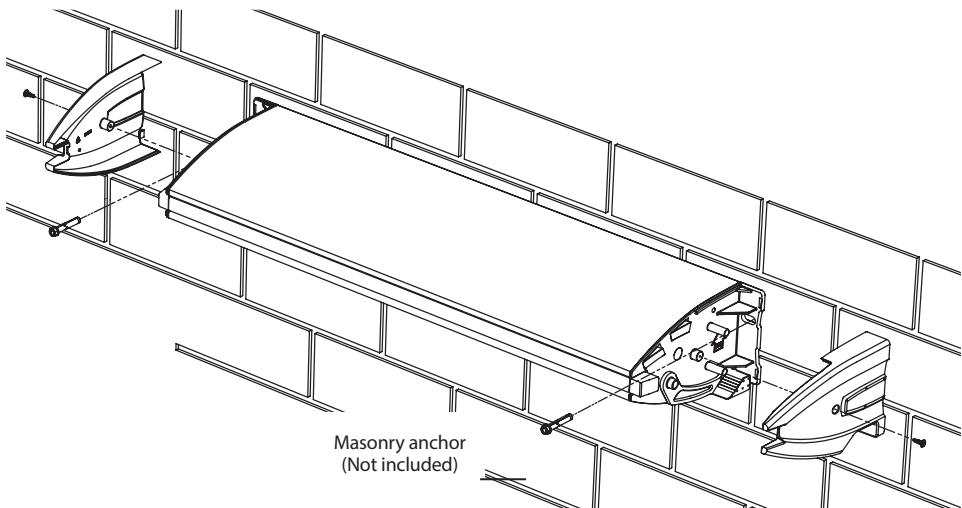


Fig. 4



Step 4 – Mounting your cabinet to a post

4.1 Prepare your cabinet location

Determine the best location for the installation of your product (refer to page 5).

Mark out a centre line for your product within your allocated site.

4.2 Determine your post locations.

Install as per the instructions supplied with your post kit.

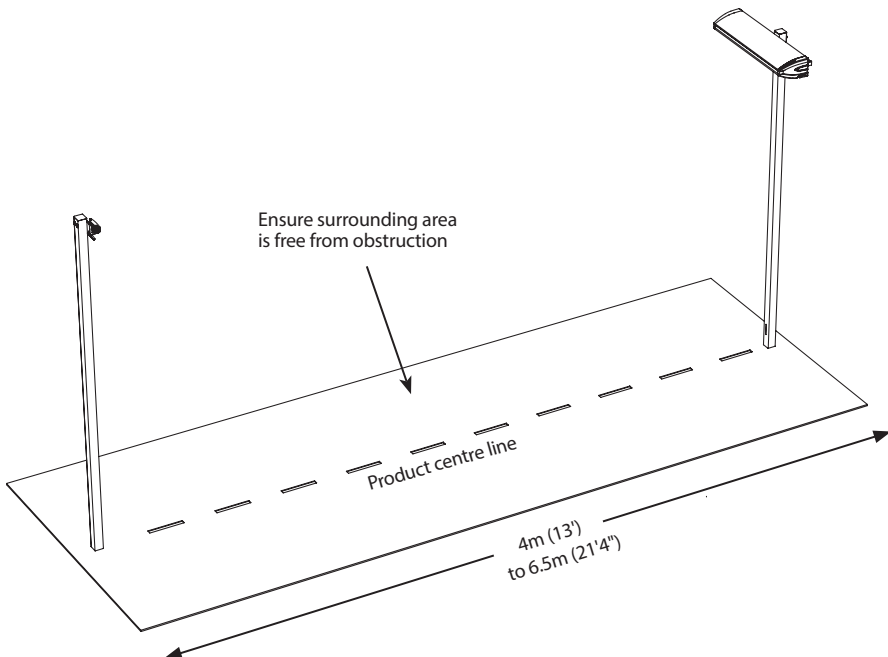
Refer to diagram on page 6 to determine the installation height.

Refer to page 3 for the post kit available.

4.3 To post mount your cabinet you will need to purchase a matching mount bar kit (refer to page 3).

4.4 Attach the mount bar to the post as per instructions supplied with your mount bar kit.

Fig. 5



Step 4 (continued) – Mounting your cabinet to a post

4.5 Securing your cabinet to a post

Remove end covers using a Phillips head screwdriver (**Fig. 6**).

4.6 Ensure square metal locking rod does not come out of the cabinet.

4.7 Locate the cabinet with the pre-drilled holes in the mount bar (sold separately).

Using the fasteners and instructions provided with the mount bar kit, secure the cabinet to the post assembly (**Fig. 7**).

4.8 Reattach cabinet end covers (**Fig. 7**).

Fig. 6

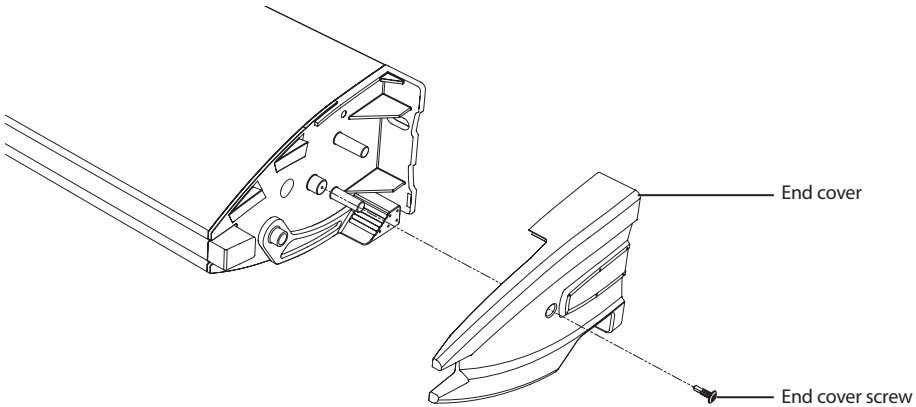
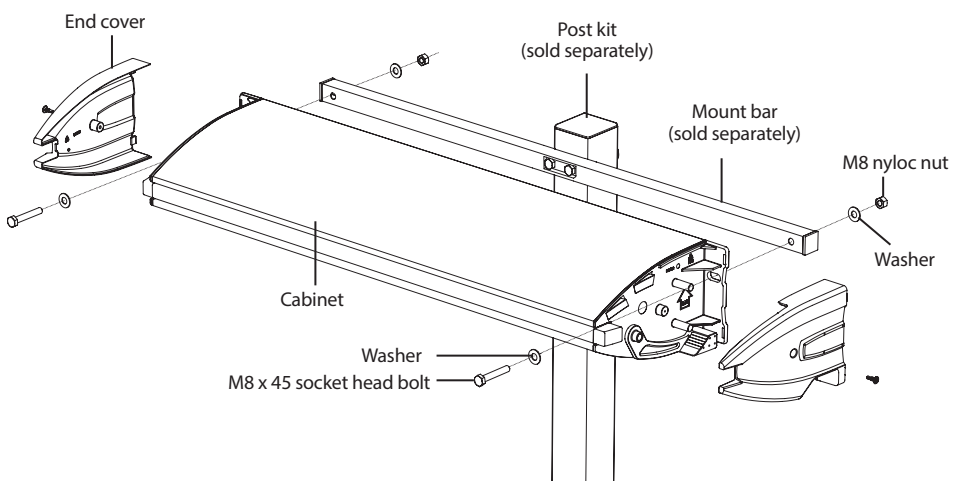


Fig. 7



Step 5 – Mounting your receiving bracket to a wall

5.1 Prepare your receiving bracket location

Mark the mount hole centres on your pre-determined centre line at the desired height (refer to page 6). Ensure there are no pipes or obstructions in the surrounding area.

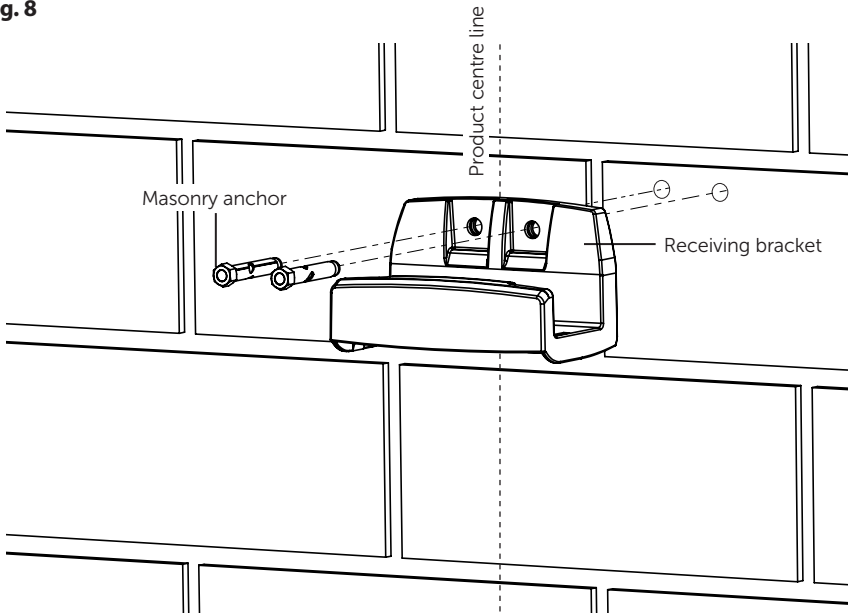
5.2 Drill holes in the wall

Refer to page 7 for instructions on drilling holes and appropriate fasteners.

5.3 Securing your receiving bracket to the wall

Insert the masonry fasteners (not included with this product) and secure. (**Fig. 8**).

Fig. 8



Step 6 – Mounting your receiving bracket to a post

6.1 Prepare your receiving bracket location

On the pre-determined product centre, locate the position for your post and receiving bracket (refer to page 5).

6.2 Install your post as per the instructions supplied with your post kit.

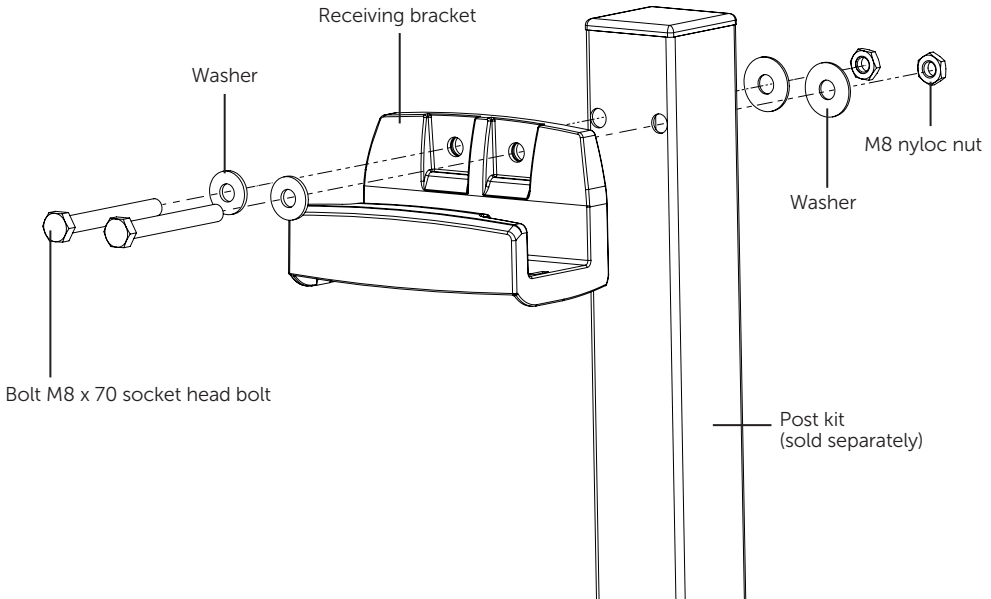
Refer to diagram on page 6 to determine the installation height of your post.

Refer to page 3 for the post kit available.

6.3 Secure the receiving bracket to a post

Using the fasteners supplied with your post kit attach the receiving bracket to the post kit assembly (**Fig. 9**).

Fig. 9



Step 7 – Operation

WARNING: Do not operate the locking lever when the arm is located in the cabinet.

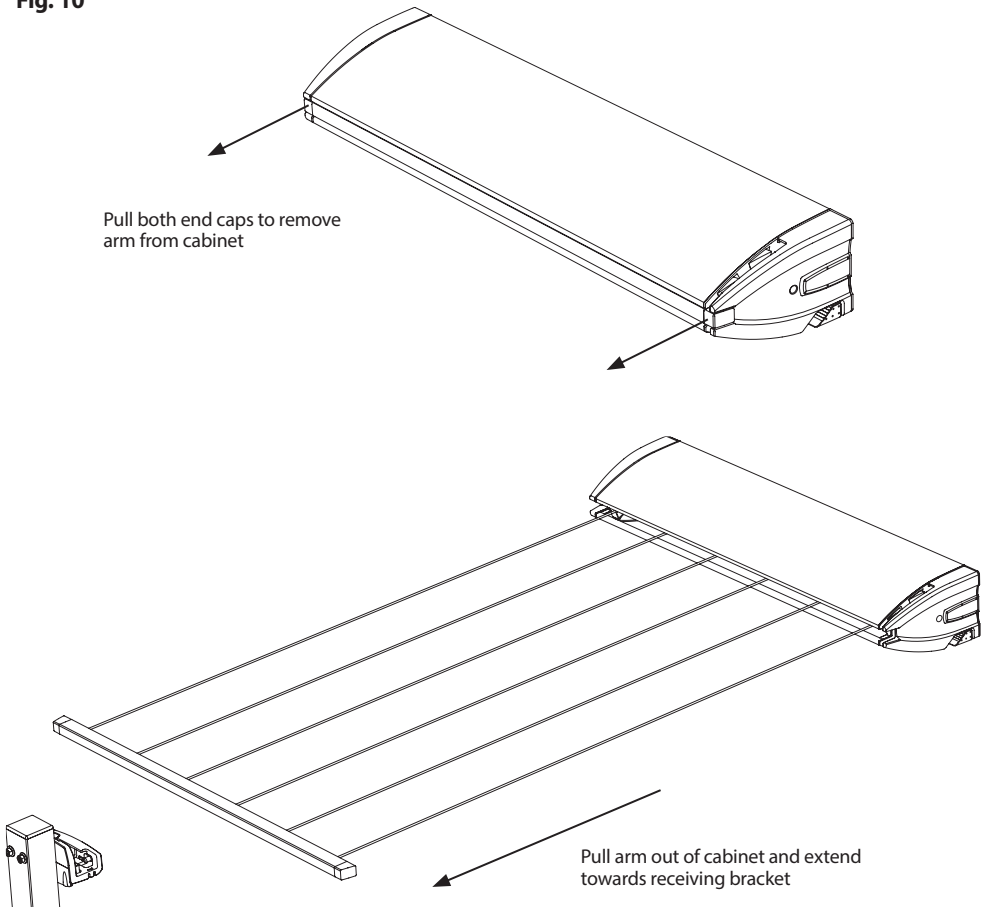
WARNING: Do not release the locking mechanism when there are clothes attached to the lines.

7.1 To extend the arm and line assembly

Remove the arm from the cabinet by pulling on the two end caps.

Holding the arm firmly, extend it towards the receiving bracket (**Fig. 10**).

Fig. 10



Step 7 (continued) – Operation

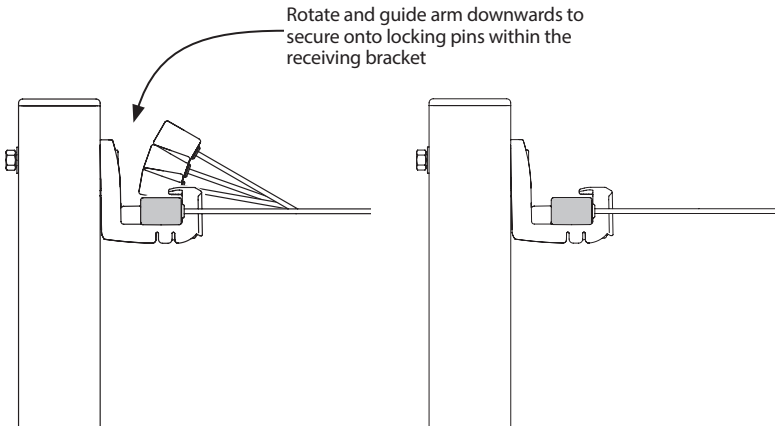
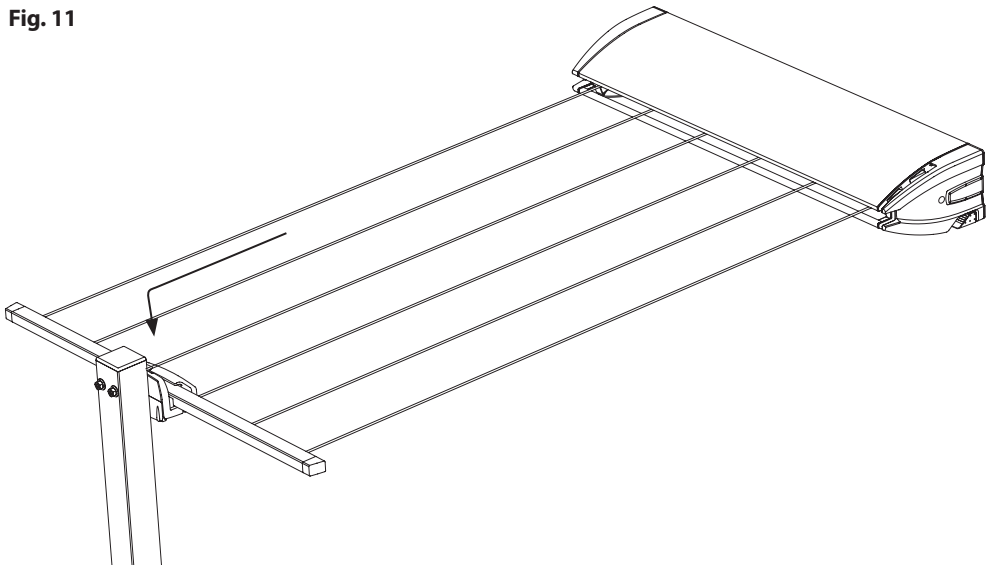
7.2 To attach the arm and line assembly to the receiving bracket

Grip the arm with each hand either side of the receiving bracket.

Centre the arm within the receiving bracket.

Rotate and guide the arm downwards to secure it onto the locking pins in the receiving bracket (**Fig 11**).

Fig. 11



Step 7 (continued) – Operation

7.3 To tension and lock the line

With the arm engaged correctly in the receiving bracket, rotate the locking lever (on the right hand side of the cabinet) (**Fig. 12**).

Rotate clockwise from the unlocked position until it locates in the first lock position. This provides normal tension on the lines (**Fig. 13**).

Check the product is locked by pulling firmly on the lines.

If you require extra tension on your lines, rotate the locking lever further, until it locates in the second lock position (**Fig. 13**).

Fig. 12

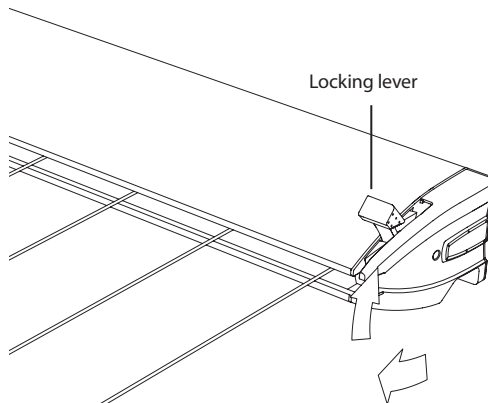
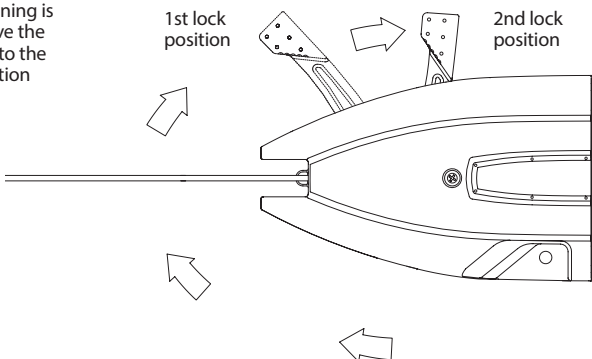


Fig. 13

If extra tensioning is required, move the locking lever to the 2nd lock position



WARNING: If your unit is mounted at 4m distance **do not** use the second lock position.

Step 7 (continued) – Operation

WARNING: Ensure the lines are not under tension before unlatching and releasing the arm.

7.4 To unlock and release tension of the lines

With all clothes and washing removed from the lines;

Pull out and unlatch the locking lever from its locked position.

Rotate anti-clockwise to its unlocked position (**Fig. 14**).

Do not let go of the locking lever as it may return with some force.

7.5 To remove the arm from the receiving bracket

Carefully grab the arm and with your other hand, rotate, guide and lift it up and out of the receiving bracket (**Fig. 15**).

WARNING: The lines are under spring tension. **Do not** allow the arm and lines to retract uncontrolled as this may lead to personal injury or property/product/damage. Hold the arm securely and walk it back to the cabinet.

Fig. 14

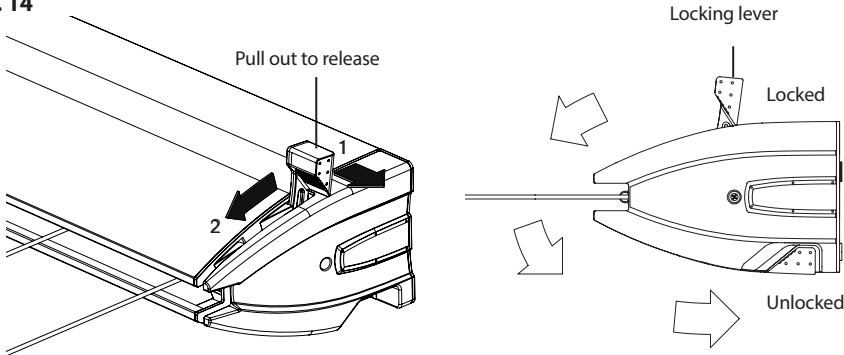
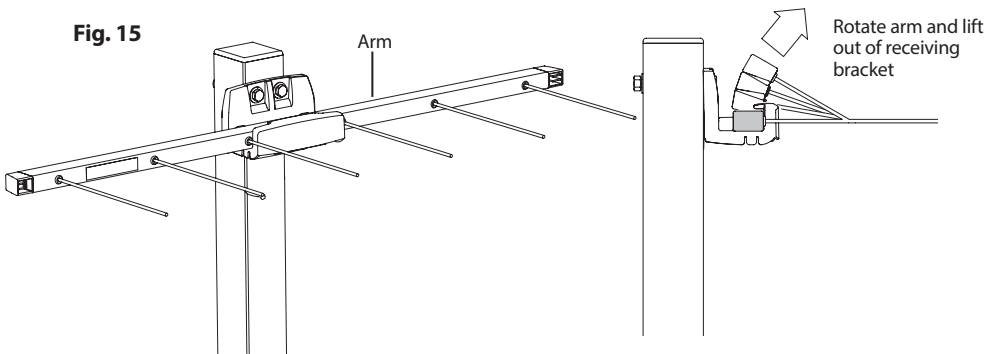


Fig. 15



Sun King handy hints

When hanging thick or bulky items, we suggest you lay the item over more than one line.

Place smaller items of clothing on the lines at the back and work your way outwards for larger items.

When you don't expect to fill the capacity of your clothesline, hang your clothes on the outer lines, as this will allow clothes to dry more easily.

Care and maintenance

Regularly inspect all components and check for wear and tear or damage. Ensure fasteners are secure. If there is any damage, parts should be replaced with original Sun King spares. The Clothesline should be repaired before using again.

Your Clothesline should be periodically wiped clean with a damp cloth and mild detergent.

We do not recommend the use of oil or 'WD' type lubricants on any part of the Clothesline.

To maintain appearance and durability of coatings on metal components, we recommend a twice-yearly application of a reputable brand of car polish or wax.

In addition to all rights and remedies to which you may be entitled under the New Zealand Consumer Guarantees Act (1993) and any other relevant legislation, Holdfast NZ Limited warrants the product to be free from defects in materials or workmanship for 10 years from the date of purchase.

In the event of a claim, you must take the product with proof of purchase and an explanation of the fault to the place of purchase or contact Holdfast NZ Limited and provide your proof of purchase. All costs associated with the return of the good (and other expenses incurred in claiming under this warranty) are your responsibility. We will, at our option, either repair or replace the product if it has a defect in its materials or workmanship.

Holdfast NZ Limited liability under this warranty is subject to Holdfast NZ Limited being satisfied that a defect was caused by defective workmanship or materials and was not caused by or substantially contributed to by other factors including (but not limited to) maintenance or repair, adjustments or modifications of the product in a manner not recommended by the manufacturers or any neglect, misuse or excessive use. For the avoidance of doubt, this warranty does not cover acts of God, earthquake, cyclone, fire, explosion, flood, landslide, lightning, storm, tempest, drought or meteor, war, terrorism, restraint or damage to property by or under the order of any government authority or industrial action.

You are entitled to a replacement or refund for a major failure and for compensation for any other reasonably foreseeable loss or damage. You are also entitled to have the goods repaired or replaced if the goods fail to be of acceptable quality and the failure does not amount to a major failure.

For goods purchased within New Zealand, this warranty is provided by Holdfast NZ Limited ,
14 Avalon Drive, Nawton, Hamilton. Phone 0800 70 10 80.

Holdfast Contacts

HOLDFAST NZLTD

14 Avalon Drive, SH 1, Nawton 3200

PO Box 4206, Hamilton East 3247

Hamilton, New Zealand

Ph: (07) 847 5540, Fax (07) 847 0324

Free Phone: 0800 70 10 80

Email: sales@holdfast.co.nz

www.holdfast.co.nz

